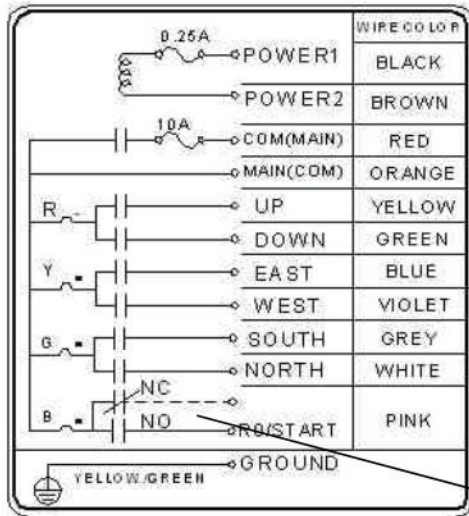
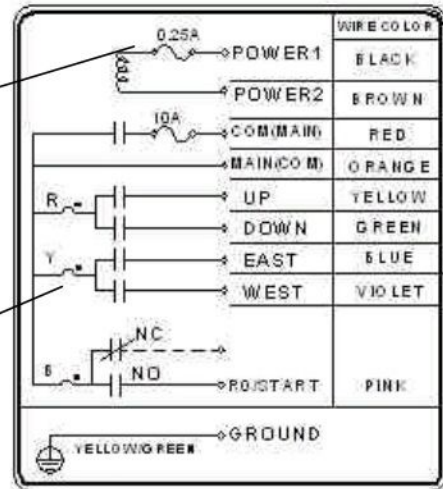


● **WIRE DIAGRAM OF SAGA1-L SERIES:**

SAGA1-L8, L8B



SAGA1-L6

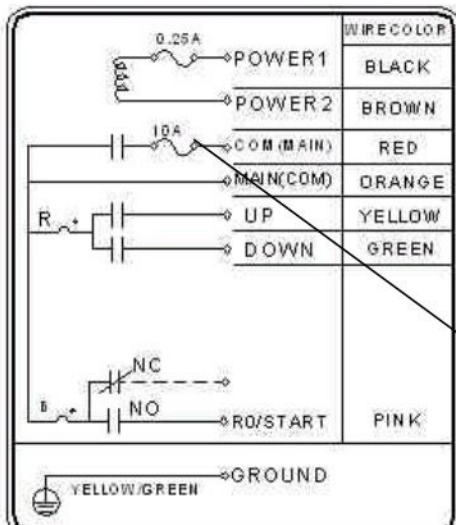


(2)

(4)

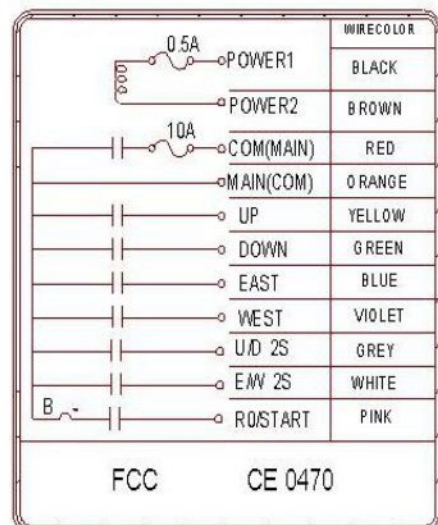
(1)

SAGA1-L4



(3)

SAGA1-L6B



FCC

CE 0470

Remark: (1) The R0/START could be N.C. or N.O.

(2) The fuse for the power AC24/48/110/220/380V is 0.5A.

The fuse for the power DC12/24V is 1.5A.

(3) The fuse for AC type at the COM(MAIN) is 10A.

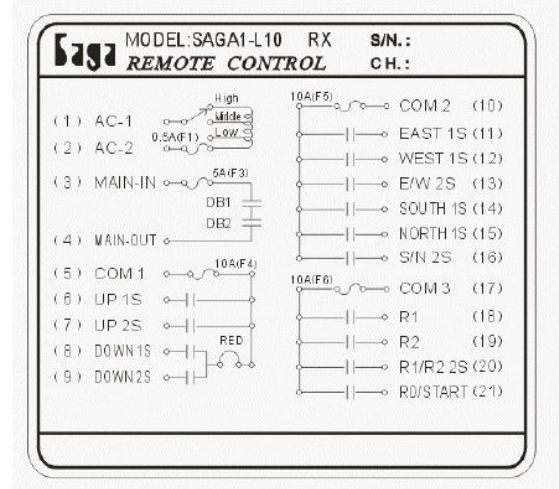
The fuse for DC type at the COM(MAIN) is 20A.

(4) The com lines have been arranged prior to shipment, if an independent

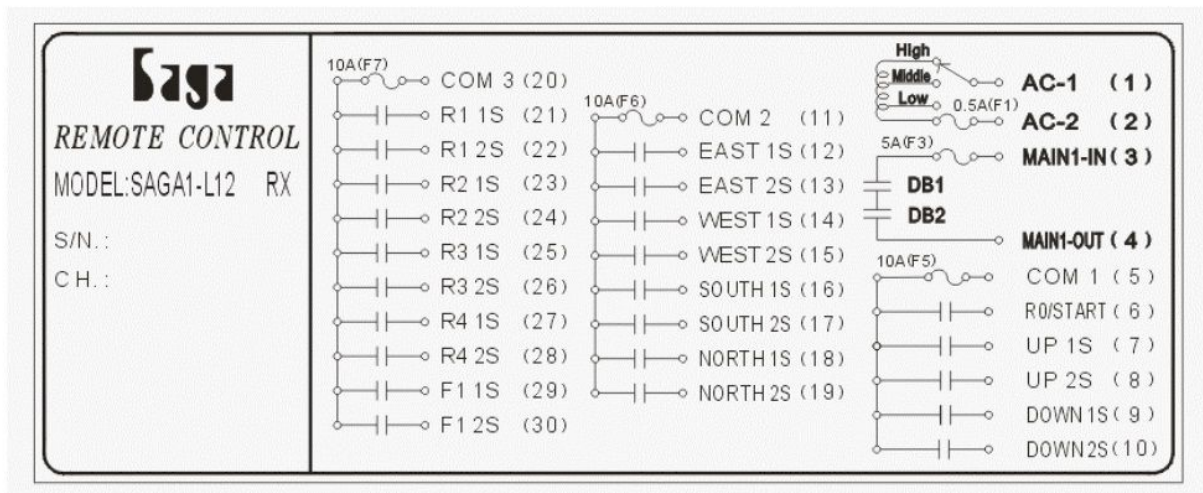
Note: The polarity direction for the power of DC12/24V isn't required when plugging in the power line connector.

Wiring

All SAGA1-L10/L10-1, L12/L12-1 are pre-wired, and the single and dual speed models are using the same cable. When it is single speed model (L10-1/L12-1), there are no relays for second speed contacts. In SAGA1-L10-1, cable number 7, 9, 13, 16, 20 are not used; in SAGA1-L12-1, cable number 8, 10, 13, 15, 17, 19, 22, 24, 26, 28, 30 are not used. When the second speed relays are added, and 2-step pushbuttons are changed, the SAGA1-L10-1 or L12-1 will turn to SAGA1-L10 or L12 without other software or firmware reinstall needed.



SAGA1-L10 Wiring Diagram



SAGA1-L12 Wiring Diagram